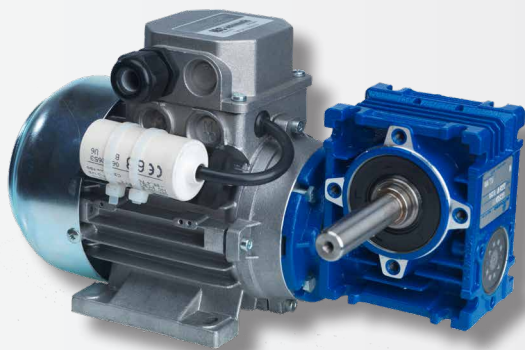


# Worm gear motor 1x230 V, 50 Hz

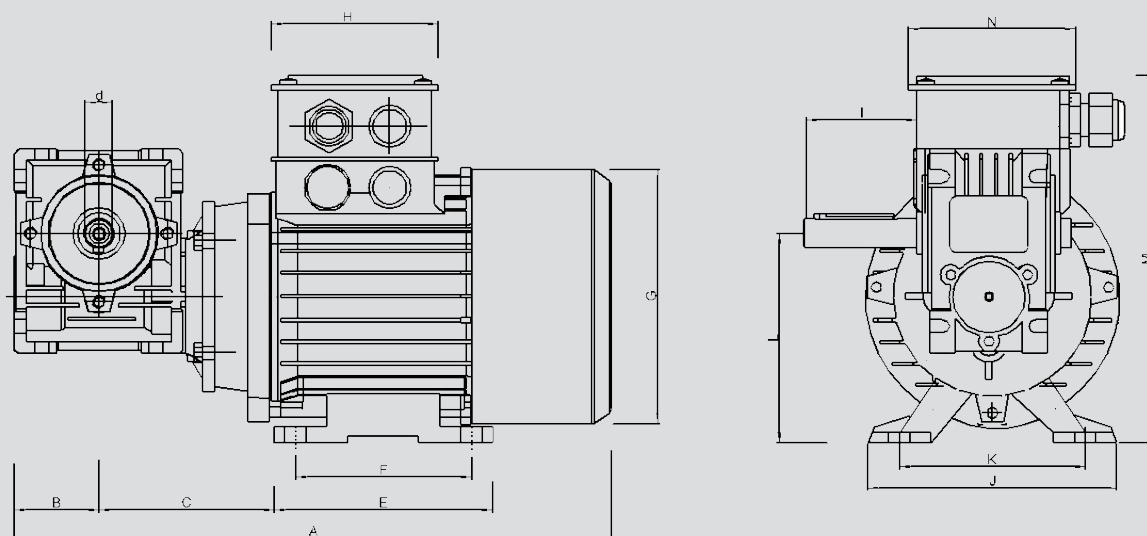
F22180141 \*) 180/140

\*) At run, using the MicroStart, a contactor must be used



- Adapted for on/off run alternatively by MicroStart
- Aluminium coating for better thermal dissipation
- Built-in thermal contact, drawn to terminal
- Compact built-in dimensions according to IEC-standards
- Extended output shaft
- Two-year product warranty

## DIMENSIONS



### Construction dimensions (mm)

MOTOR	A	B	C	d	E	F	G	H	I	J	K	L	M	N
180/140	286	40	103	14	105	81	122	75	61	120	100	93	163	75

### Technical data at 50 Hz

Motor	180/140
Rated output	180 W
Rated current at 230 V	1,6 A
Rated speed	140 rpm
Gear ratio	1:10
Rated torque	8,2 Nm
Protection form	IP55
Connection voltage	1x230 V
Weight	5,2 kg
Motor capacitor	10,0 uF

### Max rotor diameter at rotor speed 12 rpm

Motor	180/140
Rotor diameter	2500 mm