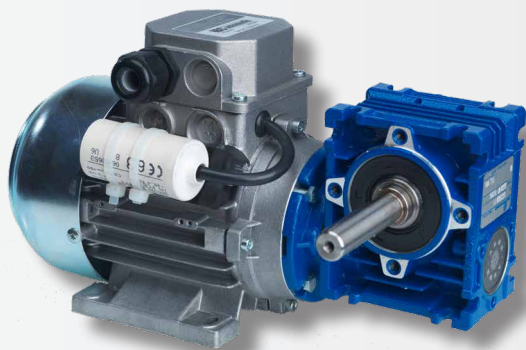


MOTOR 1-PHASE

Worm gear motor 1x230 V, 50 Hz

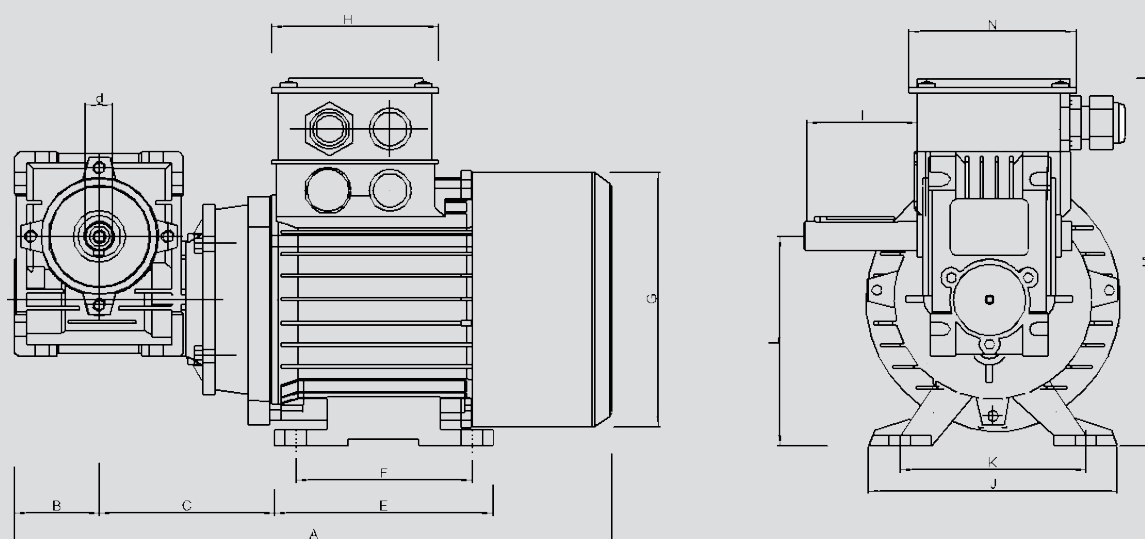
F22090141

90/140



- Adapted for on/off run alternatively by MicroStart
- Aluminium coating for better thermal dissipation
- Built-in thermal contact, drawn to terminal
- Compact built-in dimensions according to IEC-standards
- Extended output shaft
- Two-year product warranty

DIMENSIONS



Construction dimensions (mm)

| MOTOR | A | B | C | d | E | F | G | H | I | J | K | L | M | N |
|--------|-----|----|----|----|----|----|-----|----|----|-----|----|----|-----|----|
| 90/140 | 262 | 40 | 90 | 14 | 91 | 71 | 110 | 75 | 61 | 108 | 91 | 86 | 150 | 75 |

Technical data at 50 Hz

| Motor | 90/140 |
|------------------------|---------|
| Rated output | 90 W |
| Rated current at 230 V | 0,9 A |
| Rated speed | 140 rpm |
| Gear ratio | 1:10 |
| Rated torque | 4,1 Nm |
| Protection form | IP55 |
| Connection voltage | 1x230 V |
| Weight | 4,3 kg |
| Motor capacitor | 6,3 uF |

Max rotor diameter at rotor speed 12 rpm

| Motor | 90/140 |
|----------------|---------|
| Rotor diameter | 1500 mm |