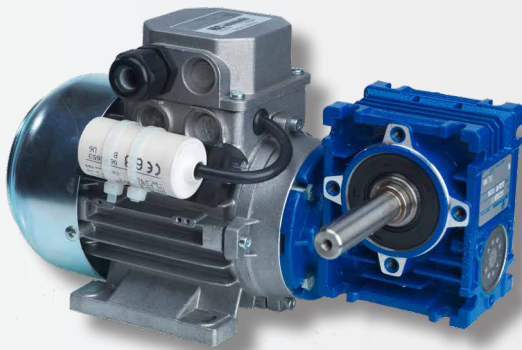


## MOTOR 1-PHASE

# Worm gear motor 1x230 V, 50 Hz

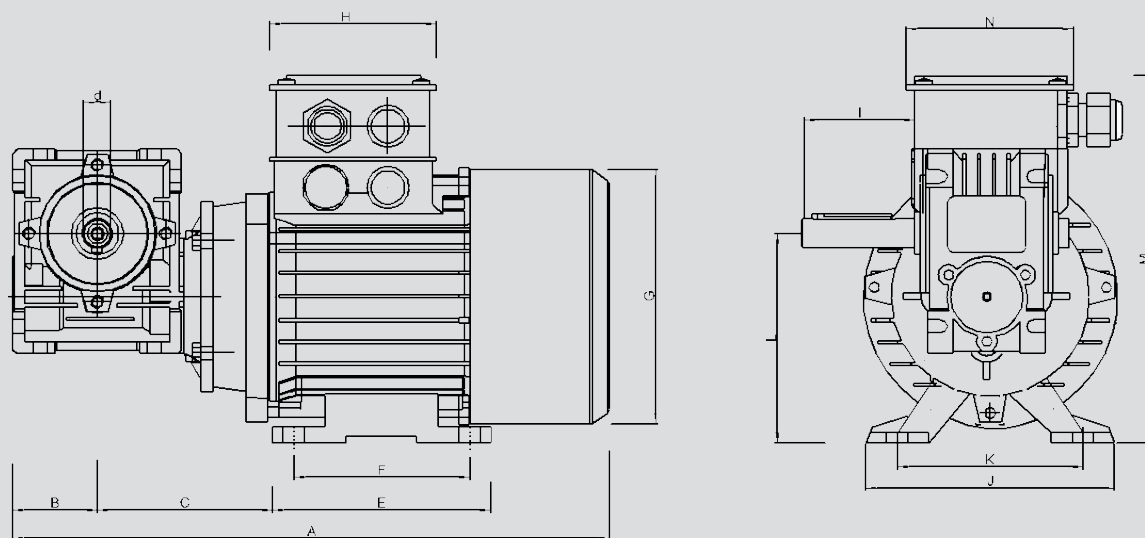
F22090090

90/90



- Adapted for on/off run alternatively by MicroStart
- Aluminium coating for better thermal dissipation
- Built-in thermal contact, drawn to terminal
- Compact built-in dimensions according to IEC-standards
- Extended output shaft
- Two-year product warranty

## DIMENSIONS



### Construction dimensions (mm)

| MOTOR | A   | B  | C  | d  | E  | F  | G   | H  | I  | J   | K  | L  | M   | N  |
|-------|-----|----|----|----|----|----|-----|----|----|-----|----|----|-----|----|
| 90/90 | 262 | 40 | 90 | 14 | 91 | 71 | 110 | 75 | 61 | 108 | 91 | 86 | 150 | 75 |

### Technical data at 50 Hz

| Motor                  | 90/90   |
|------------------------|---------|
| Rated output           | 90 W    |
| Rated current at 230 V | 0,9 A   |
| Rated speed            | 91 rpm  |
| Gear ratio             | 1:15    |
| Rated torque           | 5,8 Nm  |
| Protection form        | IP55    |
| Connection voltage     | 1x230 V |
| Weight                 | 4,3 kg  |
| Motor capacitor        | 6,3 uF  |

### Max rotor diameter at rotor speed 12 rpm

| Motor          | 90/90   |
|----------------|---------|
| Rotor diameter | 1500 mm |