

In line helical gear motor 1x230 V, 50 Hz

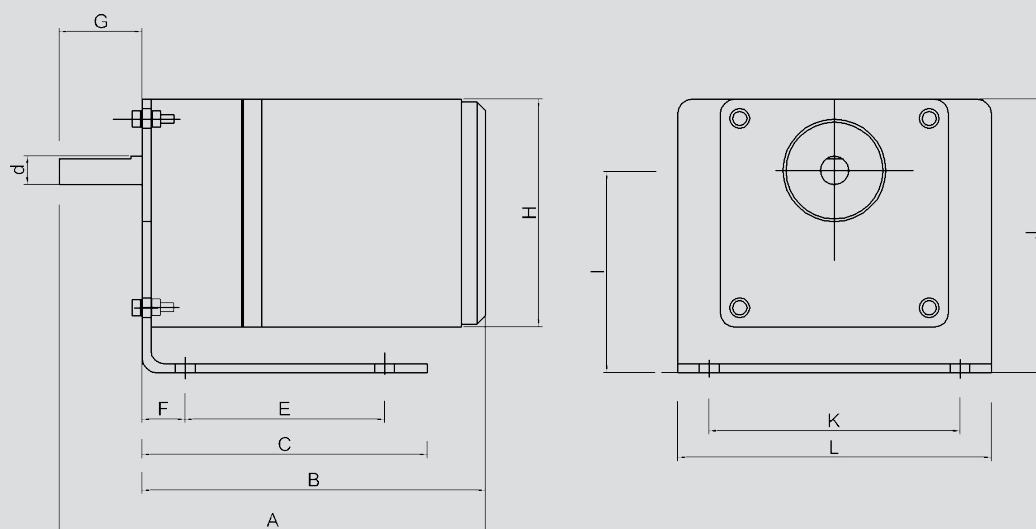
F22025096

25/96



- Adapted for on/off run alternatively by MicroStart
- Built-in thermal contact, not drawn to terminal
- Compact built-in dimensions
- Two-year product warranty

DIMENSIONS



Construction dimensions (mm)

MOTOR	A	B	C	d	E	F	G	H	I	J	K	L
25/96	150	120	100	10	60	15	30	80	70	96	88	110

Technical data at 50 Hz

Motor	25/96
Rated output	25 W
Rated current at 230 V	0,23 A
Rated speed	96 rpm
Gear ratio	1:12,5
Rated torque	2,0 Nm
Protection form	IP23
Connection voltage	1x230 V
Weight including motor bracket	2,5 kg
Motor capacitor	1,3 uF

Max rotor diameter at rotor speed 12 rpm

Motor	25/96
Rotor diameter	800 mm